

# PL602XXX/PL607XXX

PCIe Clock Generator Family  
Industry Leading Gen1 - Gen3 Performance



## Benefits

High Density Applications

Future-Proof High Performance

User-Friendly Flexibility

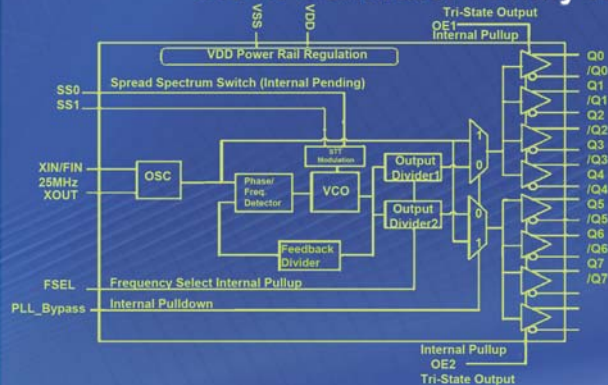
EMI Reduction

## Features

- Smallest footprint PCIe clocks with up to 8 differential HCSL outputs.
- SOT-6, SOP-8, or 16-, 24-, or 44-Pin QFN packages.
- Supports server, SAN, datacom, and telecom applications
- Ultra-low, sub-150fs additive phase jitter; sub-50ps output-to-output skew.
- Supports existing PCIe Gen1.x, Gen2.x, and Gen3.x standard requirements
- Additional performance margin for future PCIe Gen4 compliance.
- Multiple differential output configurations enable optimized PCB layouts and system costs.
- 2.5V or 3.3V power supply options — reduced power dissipation.
- PL607xxx series features Spread Spectrum clock generation (SST).
- User-selectable downspread settings of -0.25% or -0.5%.

## PL602XXX/PL607XXX

### Clock Generator Family for PCIe



- Up to Eight Differential HCSL Outputs
- Compact and Low-Cost
- Ultra-low Jitter Clock Generators for PCIe Gen 3
- Spread Spectrum Clock Generation

**MICREL**  
www.micrel.com

## Applications

- Blade servers
- Desktop servers
- Workstations
- Storage area networks
- IP routers and switches
- Telecom and datacom
- High performance computing



**MICREL**  
Innovation Through Technology®  
www.micrel.com

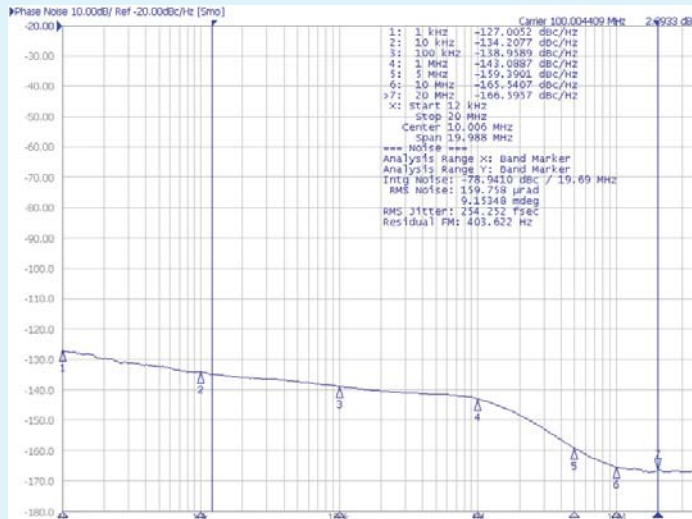
# PL602XXX/PL607XXX

## Description

Micrel's PCIe Clock Generator family includes 1-HCSL, 2-HCSL, 4-HCSL, 8-HCSL outputs, and provides extremely low phase noise solutions for PCIe architectures. These ICs accept a 25MHz crystal or a 25MHz reference clock input, operate from a 2.5V or 3.3V power supply, and are compliant with PCIe Gen1, Gen2, and Gen3.

Spread spectrum modulation is also available with -0.25% and -0.5% spread settings.

## Industry Leading Performance



## Ordering Information

PCIe Product Series	Part Number	Clock Freq. (MHz)	Number of Outputs	Package
PL602-xx	PL602-15	156.25	1 HCSL	SOT-6, SOP-8
	PL602-21	100		
	PL602-22	125		
	PL602-23	200		
	PL602-26	25		
	PL602-27	250		
PL60203x	PL602031	25	2 HCSL	QFN-16
	PL602032	100		
	PL602033	125		
	PL602034	200		
PL602041	PL602041	25, 100, 125, and 200	4 HCSL	QFN-24
PL60208x	PL602081	25, 100, 200	8 HCSL	QFN-44
	PL602082	25, 125, 250		
PL607041	PL607041	25, 100, 125, and 200	4 HCSL	QFN-24
PL60708x	PL607081	25, 100, 200	8 HCSL	QFN-44
	PL607082	25, 125, 250		

## About Micrel

Micrel, Inc. is a leading global manufacturer of High Performance Linear and Power, Timing and Communications, and LAN Solutions. The Company's products include advanced mixed-signal, analog, and power semiconductors; high performance communication, clock management, Ethernet switch, and physical layer transceiver ICs. Company customers include leading manufacturers of enterprise, consumer, industrial, mobile, telecommunications, automotive, and computer products. Corporation headquarters and state-of-the-art wafer fabrication facilities are located in San Jose, CA, with regional sales and support offices and advanced technology design centers situated throughout the Americas, Europe, and Asia. In addition, the Company maintains an extensive network of distributors and reps worldwide.

For more information, contact your local Micrel sales representative, or visit Micrel at [www.micrel.com](http://www.micrel.com)



Санкт-Петербург, ул. Геологическая, 79  
 тел. (812) 449-49-94 [www.alkon.net](http://www.alkon.net)